



HC3300 and H3300 Steaming hot water taps

98°C the perfect temperature...



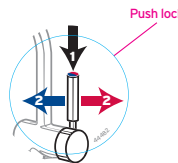
Models:

- HC3300 dispenses both steaming hot and cold filtered water
- H3300 supplies steaming hot filtered water

Features:

The HC3300 and the H3300 are stylish additions to any kitchen. The H3300 dispenses steaming hot water at the touch of a lever and the HC3300 has the added benefit of providing cold filtered water

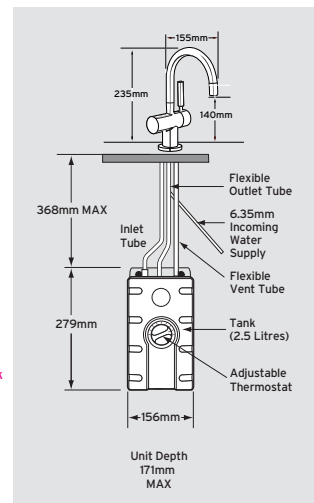
- Modern contemporary design
- Produces approximately 100 cups of steaming hot water per hour
- Dispenses 98°C hot and cold filtered water
- Adjustable temperature dial
- Compact and convenient
- Unique single handle
- Hot push-lever locking mechanism



Specification:

- Capacity: 2.5 Litre Stainless Steel tank dispenses approximately 100 cups of 98°C water per hour
- Required hole diameter: 35mm-38mm
- Required supply pressure: 172-862 kPa (1.7-8.6 bar) (25-125 psi)

Technical diagram:



All InSinkErator hot water systems are WRAS approved for your reassurance.

Steaming hot water taps

98°C the perfect temperature...

Once you have one, you'll wonder how you ever did without it. No kettles, no leads, no clutter, no fuss... just 98°C steaming hot and cold filtered water at the push of a lever. With their contemporary designs, InSinkErator® models don't just bring style to the kitchen; they bring a level of convenience that fits today's busy lifestyles.

They also help you do your bit for the environment. Because you only heat as much water as you need, the taps are energy efficient and economical... saving you money every time they're used.



Food and drink:

- Make tea, coffee and other hot drinks
- Prepare pasta and rice
- Blanche vegetables
- Create gravies, sauces and soups
- Thaw frozen food and warm ice cream scoops
- Re-hydrate dried food
- Clean fruit and vegetables

Practical uses:

- Washing up
- Remove lids from jars
- Clean wax from candle holders
- Remove labels from containers for recycling
- Add extra shine to silver
- Fill hot water bottles

Baby care:

- Warm bottles and food
- Clean without harsh chemicals



All InSinkErator hot water systems are WRAS approved for your reassurance.

InSinkErator, Suite 6, Building 6, Hatters Lane, Croxley Green
Business Park, Watford, Hertfordshire WD18 8YH United Kingdom
Sales Tel: (0) 1923 297 880 Service Tel: (0) 800 389 3715
Email: insinkerator.uk@emerson.com
Website: www.insinkerator.co.uk

EX524-11K-73-73